

# SPICER®



J300P-11

June 2016

Supersedes Section 11

Dated October 2008

## Driveline Components Catalog Coupling Shafts - SPL® and 10 Series™

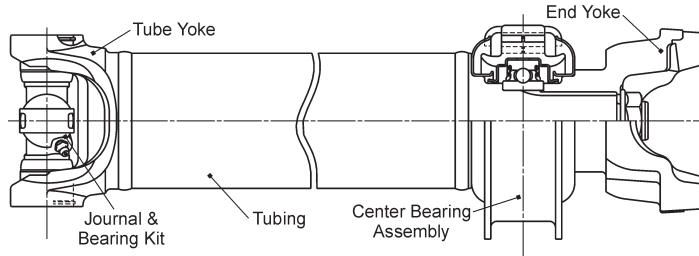


Coupling shafts and joint & shaft assemblies for use with companion flange, end yoke, or outboard slip yoke, all built to exact Dana standards.



Product pictured is intended to be a representation of product category.

**Coupling Shafts, Joint & Shaft Assemblies  
 For Use With Companion Flange or End Yoke**



Midship Stub Shaft		Center Bearing Assy.		Flat Washer	Shaft Nut or Cap Screw	End Yoke (4) or Companion Flange (1)
Part Number	Spline Dia. & No.	Part Number	Bearing I.D.			
<b>1210 Series</b>	<b>Strap Kit 2-70-18X</b>					<b>For Kits 5-443X</b>
<b>Tubing Size: 2.000 x .083</b>	<b>Tubing Part Number: 16-30-62</b>	<b>Tube Yoke: 2-28-2417</b>				
2-53-901	1.125 - 26	211431X	1.260	230123-12	231781	2-4-6191-1
<b>1310 Series</b>	<b>Strap Kit 2-70-18X, U-bolt Kit 2-94-28X</b>					<b>For Kits 5-153X, 5-785X &amp; 5-810X, 5-1200X</b>
<b>Tubing Size: 2.500 x .065</b>	<b>Tubing Part Number: 20-30-12</b>	<b>Tube Yoke: 2-28-277</b>				
2-53-1321	1.125 - 26	211872-1X	1.181	230123-12	231781	2-4-7021-1
<b>Tubing Size: 2.500 x .083</b>	<b>Tubing Part Number: 20-30-22</b>	<b>Tube Yoke: 2-28-367</b>				
2-53-1191	1.375 - 10	210090-1X	1.378	~	16-74-101	2-4-2671
2-53-1351	1.125 - 26	211872-1X	1.181	230123-12	231781	2-4-7021-1
2-53-1051•	1.125 - 26	211589-1X	1.181	230123-12	231781	2-4-7291-1X
<b>Tubing Size: 3.000 x .083</b>	<b>Tubing Part Number: 24-30-42</b>	<b>Tube Yoke: 2-28-437</b>				
2-53-1151	1.375 - 10	211090-1X▲	1.378	~	16-74-101	2-4-2671
<b>1350 Series</b>	<b>Strap Kit 3-70-28X</b>					<b>For Kits 5-178X &amp; 5-799X</b>
<b>Tubing Size: 3.000 x .083</b>	<b>Tubing Part Number: 24-30-42</b>	<b>Tube Yoke: 3-28-57</b>				
3-54-611	1.375 - 10	210367-1X	1.378	~	16-74-101	3-4-178-1X
<b>Tubing Size: 3.500 x .083</b>	<b>Tubing Part Number: 28-30-62</b>	<b>Tube Yoke: 3-28-427</b>				
3-53-2541	1.250 - 29	211359X	1.574	~	16-74-101	3-4-14621-1
3-53-2541	1.250 - 29	212053-1X	1.574	~	16-74-101	3-4-14621-1
3-53-2301	1.500 - 10	212053-1X	1.574	~	16-74-101	3-4-13881-1
<b>1410 Series</b>	<b>Strap Kit 3-70-28X</b>					<b>For Kits 5-160X &amp; 5-801X</b>
<b>Tubing Size: 3.000 x .083</b>	<b>Tubing Part Number: 24-30-42</b>	<b>Tube Yoke: 3-28-97</b>				
3-54-611	1.375 - 10	210367-1X	1.378	~	16-74-101	3-4-2851-1X
3-53-1811	1.500 - 10	210391-1X	1.574	~	16-74-101	3-4-2941-1
3-53-1781	1.500 - 10	210873-1X	1.574	~	16-74-101	3-4-6561-1
3-53-1781	1.500 - 10	210873-1X	1.574	~	16-74-101	3-4-6631-1X
<b>Tubing Size: 3.000 x .095</b>	<b>Tubing Part Number: 24-30-12</b>	<b>Tube Yoke: 3-28-267</b>				
3-53-1891	1.500 - 10	210873-1X	1.574	~	16-74-101	3-4-6561-1
3-53-1891	1.500 - 10	210873-1X	1.574	~	16-74-101	3-4-6631-1X
<b>Tubing Size: 3.500 x .083</b>	<b>Tubing Part Number: 28-30-62</b>	<b>Tube Yoke: 3-28-557</b>				
3-53-1821	1.500 - 10	210391-1X	1.574	~	16-74-101	3-4-2941-1
3-53-1791	1.500 - 10	210873-1X	1.574	~	16-74-101	3-4-6561-1
3-53-1791	1.500 - 10	210873-1X	1.574	~	16-74-101	3-4-6631-1X
3-53-2541	1.250 - 29	211359X	1.574	~	16-74-101	3-4-14591-1
3-53-2541	1.250 - 29	212053-1X	1.574	~	16-74-101	3-4-14591-1
<b>Tubing Size: 4.000 x .083</b>	<b>Tubing Part Number: 32-30-22</b>	<b>Tube Yoke: 3-28-457</b>				
3-53-1831	1.500 - 10	210391-1X	1.574	~	16-74-101	3-4-2941-1
3-53-1801	1.500 - 10	210873-1X	1.574	~	16-74-101	3-4-6561-1

For parts and assemblies that are discontinued, will be discontinued upon depletion of stock, or not sold separately, please see the appropriate Spicer® J300P product catalog.



**Coupling Shafts, Joint & Shaft Assemblies**  
**For Use With Companion Flange or End Yoke**

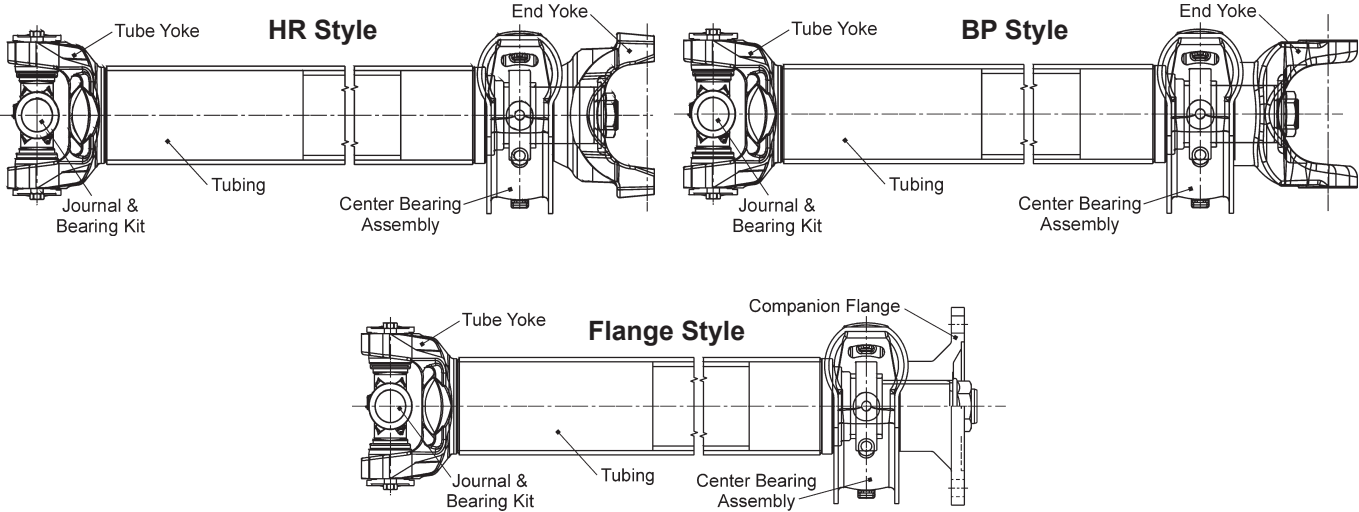
Midship Stub Shaft		Center Bearing Assy.		Flat Washer	Shaft Nut or Cap Screw	End Yoke (4) or Companion Flange (1)
Part Number	Spline Dia. & No.	Part Number	Bearing I.D.			
<b>1480 Series</b>	<b>Strap Kit 3-70-38X</b>					<b>For Kits 5-188X, 5-803X 5-804X</b>
<b>Tubing Size: 3.500 x .083</b>		<b>Tubing Part Number: 28-30-62</b>		<b>Tube Yoke: 3-28-537</b>		
3-53-1821	1.500 - 10	210391-1X	1.574	~	16-74-101	3-4-4421-1X
3-53-1791	1.500 - 10	210873-1X	1.574	~	16-74-101	3-4-6901-1
<b>Tubing Size: 4.000 x .083</b>		<b>Tubing Part Number: 32-30-22</b>		<b>Tube Yoke: 3-28-507</b>		
3-53-1831	1.500 - 10	210391-1X	1.574	~	16-74-101	3-4-4421-1X
3-53-1801	1.500 - 10	210873-1X	1.574	~	16-74-101	3-4-6901-1
<b>1550 Series</b>	<b>Strap Kit 3-70-38X</b>					<b>For Kits 5-155X, 5-808X 5-809X</b>
<b>Tubing Size: 3.500 x .095</b>		<b>Tubing Part Number: 28-30-22</b>		<b>Tube Yoke: 4-28-417</b>		
4-53-401	1.500 - 10	210084-2X	1.771	~	16-74-101	4-4-4211-1
4-53-361	1.500 - 10	210391-1X	1.574	~	16-74-101	4-4-2051-1
<b>Tubing Size: 4.000 x .083</b>		<b>Tubing Part Number: 32-30-22</b>		<b>Tube Yoke: 4-28-277</b>		
4-53-271	1.500 - 10	210084-2X	1.771	~	16-74-101	4-4-4211-1
4-53-271	1.500 - 10	210084-2X	1.771	~	16-74-101	4-4-4211-2* <i>Uses OEM strap kit</i>
3-53-1831	1.500 - 10	210391-1X	1.574	~	16-74-101	4-4-2051-1

For parts and assemblies that are discontinued, will be discontinued upon depletion of stock, or not sold separately, please see the appropriate Spicer® J300P product catalog.



**Important: See Safety Information in General Information Section (J300P-GI)**

**Coupling Shafts, Joint & Shaft Assemblies  
For Use With Companion Flange or End Yoke**



Midship Stub Shaft		Center Bearing Assy.		Flat Washer	Shaft Nut or Cap Screw	End Yoke (4) or Companion Flange (1)
Part Number	Spline Dia. & No.	Part Number	Bearing I.D.			
<b>1610 Series Strap Kit 5-70-28X</b>						<b>For Kits 5-279X &amp; 5-674X(HR)</b>
<b>Tube yokes can use either 5-279X or 5-674X U-joint</b>						
<b>Tubing Size: 3.500 x .134</b>		<b>Tubing Part Number: 28-30-92</b>		<b>Tube Yoke: 5-28-627</b>		
5-53-141	1.750 - 10	210084-2X	1.771	~	231502	5-4-1721
5-53-141	1.750 - 10	210084-2X	1.771	~	231502	5-4-1721-1(HR)
5-53-261	1.750 - 34	210084-2X	1.771	~	231502	5-4-7171-1(HR)
<b>Tubing Size: 4.000 x .134</b>		<b>Tubing Part Number: 32-30-52</b>		<b>Tube Yoke: 5-28-327</b>		
5-53-191	1.750 - 10	210084-2X	1.771	~	231502	5-4-1721
5-53-191	1.750 - 10	210084-2X	1.771	~	231502	5-4-1721-1(HR)
5-53-271	1.750 - 34	210084-2X	1.771	~	231502	5-4-7171-1(HR)
<b>1710 Series Strap Kit 6.5-70-18X or 212214X (cast style strap)</b>						<b>For Kits 5-280X &amp; 5-675X(HR)</b>
<b>Tube yokes can use either 5-280X or 5-675X U-joint</b>						
<b>Tubing Size: 4.000 x .134</b>		<b>Tubing Part Number: 32-30-52</b>		<b>Tube Yoke: 6-28-347</b>		
6-53-201	1.958 - 10	210121-1X	1.968	230123-6	231502	6-1-4641
6-53-201	1.958 - 10	210121-1X	1.968	230123-6	231502	6-4-1981
6-53-201	1.958 - 10	210121-1X	1.968	230123-6	231502	6-4-1981-1(HR)
6-53-411	1.950 - 38	210121-1X	1.968	230123-6	231502	6-4-7141
6-53-411	1.950 - 38	210121-1X	1.968	230123-6	231502	6-4-7141-1(HR)
6-53-201	1.958 - 10	210881-1X	1.968	230123-6	231502	6-1-4641
6-53-201	1.958 - 10	210881-1X	1.968	230123-6	231502	6-4-1981
6-53-201	1.958 - 10	210881-1X	1.968	230123-6	231502	6-4-1981-1(HR)
<b>Tubing Size: 4.500 x .134</b>		<b>Tubing Part Number: 36-30-62</b>		<b>Tube Yoke: 6-28-407</b>		
6-53-241	1.958 - 10	210121-1X	1.968	230123-6	231502	6-4-1981
6-53-241	1.958 - 10	210121-1X	1.968	230123-6	231502	6-4-1981-1(HR)
6-53-421	1.950 - 38	210121-1X	1.968	230123-6	231502	6-4-7141
6-53-421	1.950 - 38	210121-1X	1.968	230123-6	231502	6-4-7141-1(HR)
6-53-241	1.958 - 10	210881-1X	1.968	230123-6	231502	6-4-1981
6-53-241	1.958 - 10	210881-1X	1.968	230123-6	231502	6-4-1981-1(HR)
<b>1710 HD Series Strap Kit 6.5-70-18X or 212214X (cast style strap)</b>						<b>For Kits 5-280X &amp; 5-675X(HR)</b>
<b>Tube yokes can use either 5-280X or 5-675X U-joint</b>						
<b>Tubing Size: 4.000 x .134</b>		<b>Tubing Part Number: 32-30-52</b>		<b>Tube Yoke: 6-28-347</b>		
6.3-53-21	2.350 - 46	5003323	2.362	230123-6	231502	6-4-7481-1 (HR)

For parts and assemblies that are discontinued, will be discontinued upon depletion of stock, or not sold separately, please see the appropriate Spicer® J300P product catalog.



## Coupling Shafts, Joint & Shaft Assemblies For Use With Companion Flange or End Yoke

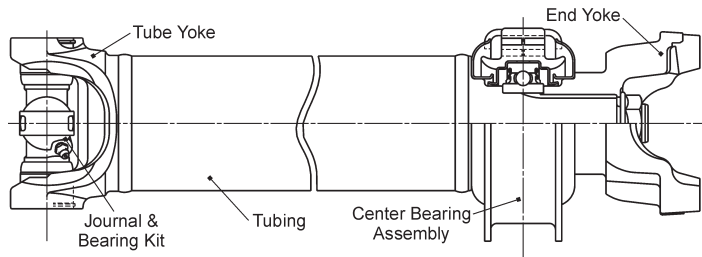
Midship Stub Shaft		Center Bearing Assy.		Flat Washer	Shaft Nut or Cap Screw	End Yoke (4) or Companion Flange (1)
Part Number	Spline Dia. & No.	Part Number	Bearing I.D.			
<b>1710 HD Series (Con't) Strap Kit 6.5-70-18X or 212214X (cast style strap) For Kits 5-280X &amp; 5-675X(HR)</b> Tube yokes can use either 5-280X or 5-675X U-joint						
<b>Tubing Size: 4.000 x .134</b>		<b>Tubing Part Number: 32-30-52</b>		<b>Tube Yoke: 6-28-347</b>		
6.3-53-21	2.350 - 46	5003326	2.362	230123-6	231502	6-4-7481-1 (HR)
6-53-311	2.350 - 16	5003323	2.362	230123-6	231502	6-4-5071X
6-53-311	2.350 - 16	5003323	2.362	230123-6	231502	6-4-4601-1(HR)
6-53-311	2.350 - 16	5003326	2.362	230123-6	231502	6-4-5071X
6-53-311	2.350 - 16	5003326	2.362	230123-6	231502	6-4-4601-1(HR)
<b>Tubing Size: 4.095 x .180</b>		<b>Tubing Part Number: 36-30-72</b>		<b>Tube Yoke: 6-28-347</b>		
6-53-311	2.350 - 16	5003323	2.362	230123-6	20-74-91	6-1-5581
6-53-311	2.350 - 16	5003323	2.362	230123-6	231502	6-4-5071X
6-53-311	2.350 - 16	5003323	2.362	230123-6	231502	6-4-4601-1(HR)
6-53-311	2.350 - 16	5003326	2.362	230123-6	231502	6-4-5071X
6-53-311	2.350 - 16	5003326	2.362	230123-6	231502	6-4-4601-1(HR)
6.3-53-21	2.350 - 46	5003323	2.362	230123-6	231502	6-4-7481-1(HR)
6.3-53-21	2.350 - 46	5003326	2.362	230123-6	231502	6-4-7481-1(HR)
<b>Tubing Size: 4.500 x .134</b>		<b>Tubing Part Number: 36-30-62</b>		<b>Tube Yoke: 6-28-407</b>		
6.5-53-91	2.350 - 16	5003323	2.362	230123-6	231502	6-4-5071X
6.5-53-91	2.350 - 16	5003323	2.362	230123-6	231502	6-4-4601-1(HR)
6.5-53-91	2.350 - 16	5003326	2.362	230123-6	231502	6-4-5071X
6.5-53-91	2.350 - 16	5003326	2.362	230123-6	231502	6-4-4601-1(HR)
6.5-53-171	2.350 - 46	5003323	2.362	230123-6	231502	6-4-7481-1(HR)
6.5-53-171	2.350 - 46	5003326	2.362	230123-6	231502	6-4-7481-1(HR)
<b>1760 Series Strap Kit 6.5-70-18X or 212214X (cast style strap) For Kits 5-407X &amp; 5-677X(HR)</b> Tube yokes can use either 5-407X or 5-677X U-joint						
<b>Tubing Size: 4.095 x .180</b>		<b>Tubing Part Number: 32-30-72</b>		<b>Tube Yoke: 6.3-28-17</b>		
6-53-311	2.350 - 16	5003323	2.362	230123-6	231502	6.3-4-161
6-53-311	2.350 - 16	5003323	2.362	230123-6	231502	6.3-4-161-1(HR)
6-53-311	2.350 - 16	5003326	2.362	230123-6	231502	6.3-4-161
6-53-311	2.350 - 16	5003326	2.362	230123-6	231502	6.3-4-161-1(HR)
6.3-53-21	2.350 - 46	5003323	2.362	230123-6	231502	6.3-4-821-1(HR)
6.3-53-21	2.350 - 46	5003326	2.362	230123-6	231502	6.3-4-821-1(HR)
<b>1810 Series Strap Kit 6.5-70-18X or 212214X (cast style strap) For Kits 5-281X &amp; 5-676X(HR)</b> Tube yokes can use either 5-281X or 5-676X U-joint						
<b>Tubing Size: 4.500 x .134</b>		<b>Tubing Part Number: 36-30-62</b>		<b>Tube Yoke: 6.5-28-117</b>		
6.5-53-91	2.350 - 16	5003323	2.362	230123-6	20-74-91	6.5-1-1811
6.5-53-91	2.350 - 16	5003323	2.362	230123-6	231502	6.5-4-1891
6.5-53-91	2.350 - 16	5003323	2.362	230123-6	231502	6.5-4-1891-1(HR)
6.5-53-91	2.350 - 16	5003326	2.362	230123-6	20-74-91	6.5-1-1811
6.5-53-91	2.350 - 16	5003326	2.362	230123-6	231502	6.5-4-1891
6.5-53-91	2.350 - 16	5003326	2.362	230123-6	231502	6.5-4-1891-1(HR)
6.5-53-171	2.350 - 46	5003323	2.362	230123-6	231502	6.5-4-3591-1(HR)
6.5-53-171	2.350 - 46	5003326	2.362	230123-6	231502	6.5-4-3591-1(HR)
<b>Tubing Size: 4.500 x .259</b>		<b>Tubing Part Number: 36-30-22</b>		<b>Tube Yoke: 6.5-28-127</b>		
6.5-53-51	2.350 - 16	5003323	2.362	230123-6	231502	6.5-4-1891
6.5-53-51	2.350 - 16	5003323	2.362	230123-6	231502	6.5-4-1891-1(HR)
6.5-53-51	2.350 - 16	5003326	2.362	230123-6	231502	6.5-4-1891
6.5-53-51	2.350 - 16	5003326	2.362	230123-6	231502	6.5-4-1891-1(HR)
6.5-53-181	2.350 - 46	5003323	2.362	230123-6	231502	6.5-4-3591-1(HR)
6.5-53-181	2.350 - 46	5003326	2.362	230123-6	231502	6.5-4-3591-1(HR)

For parts and assemblies that are discontinued, will be discontinued upon depletion of stock, or not sold separately, please see the appropriate Spicer® J300P product catalog.



**Important: See Safety Information in General Information Section (J300P-GI)**

**Coupling Shafts, Joint & Shaft Assemblies  
For Use With Companion Flange or End Yoke**

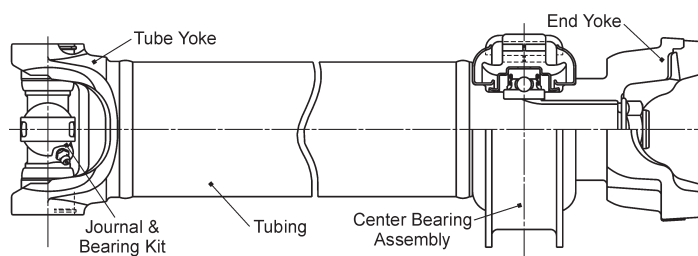


Midship Stub Shaft		Center Bearing Assy.		Flat Washer	Shaft Nut or Cap Screw	End Yoke (4) or Companion Flange (1)
Part Number	Spline Dia. & No.	Part Number	Bearing I.D.			
<b>SPL55 Series</b>		<b>Strap Kit - 3-70-38X</b>		<b>For Kits 5-803X &amp; 5-804X</b>		
<b>Tubing Size: 3.500 x .083</b>		<b>Tubing Part Number: 28-30-62</b>		<b>Tube Yoke: 3-28-537</b>		
55-53-101	1.543 - 36	212031X	1.574	~	16-74-101	55-4-11-1
55-53-101	1.543 - 36	212144-1X *	1.574	~	16-74-101	55-4-11-1
<i>* Do not use Boot Can</i>						
<b>SPL70 Series</b>		<b>Strap Kit - 3-70-38X</b>		<b>For Kits 5-808X &amp; 5-809X</b>		
<b>Tubing Size: 3.500 x .095</b>		<b>Tubing Part Number: 28-30-22</b>		<b>Tube Yoke: 4-28-307</b>		
70-53-61	1.750 - 34	212134-1X	1.771	230123-6	20-74-91	70-4-11-1
70-53-61	1.750 - 34	212261-1X	1.771	230123-6	20-74-91	70-4-11-1
<b>Tubing Size: 4.000 x .083</b>		<b>Tubing Part Number: 32-30-22</b>		<b>Tube Yoke: 4-28-277</b>		
70-53-31*	1.750 - 34	212134-1X	1.771	230123-6	20-74-91	70-4-11-1
70-53-31*	1.750 - 34	212145-1X *	1.771	230123-6	20-74-91	70-4-11-1
<i>* Do not use Boot Can</i>						
<b>SPL90 Series</b>		<b>Strap Kit - 90-70-28X</b>		<b>For Kit SPL100-1X</b>		
<b>Tubing Size: 4.000 x .095</b>		<b>Tubing Part Number: 32-30-12</b>		<b>Tube Yoke: 90-28-17</b>		
90-53-31	1.750 - 34	210084-2X	1.771	~	231502	90-4-11-1
<b>Tubing Size: 4.000 x .134</b>		<b>Tubing Part Number: 32-30-52</b>		<b>Tube Yoke: 90-28-27</b>		
90-53-11	1.750 - 34	210084-2X	1.771	~	231502	90-4-11-1
<b>SPL100 Series</b>		<b>Strap Kit - 90-70-28X</b>		<b>For Kit SPL100-1X</b>		
<b>Tubing Size: 4.000 x .095</b>		<b>Tubing Part Number: 32-30-12</b>		<b>Tube Yoke: 100-28-17</b>		
100-53-31	1.750 - 34	212134-1X	1.771	230123-6	20-74-91	100-4-931-1
100-53-31	1.750 - 34	212261-1X	1.771	230123-6	20-74-91	100-4-931-1

For parts and assemblies that are discontinued, will be discontinued upon depletion of stock, or not sold separately, please see the appropriate Spicer® J300P product catalog.



## Coupling Shafts, Joint & Shaft Assemblies For Use With Companion Flange or End Yoke



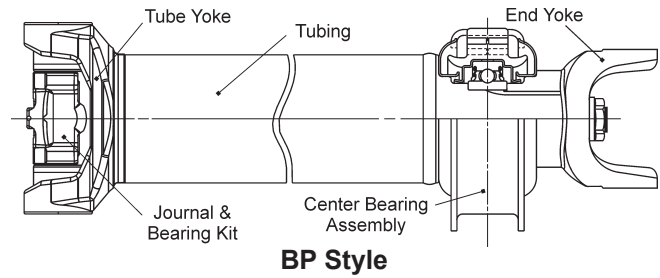
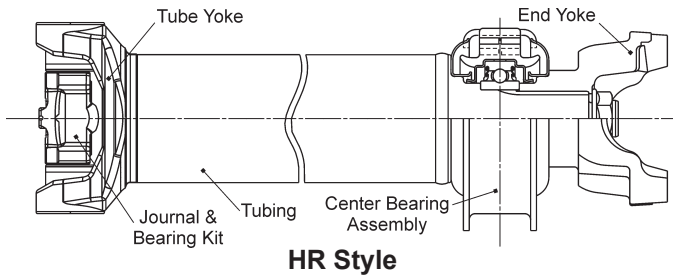
Midship Stub Shaft		Center Bearing Assy.		Flat Washer	Shaft Nut or Cap Screw	End Yoke (4) or Companion Flange (1)
Part Number	Spline Dia. & No.	Part Number	Bearing I.D.			
<b>SPL140 Series Strap Kit - 140-70-18X</b>						<b>For Kit SPL140X</b>
<b>Tubing Size: 4.213 x .138</b>		<b>Tubing Part Number: 100-30-3</b>		<b>Tube Yoke: 140-28-17</b>		
140-53-11	1.950 - 38	210121-1X	1.968	230123-6	250-74-11	140-4-11-1
140-53-11	1.950 - 38	210881-1X	1.968	230123-6	250-74-11	140-4-11-1
140-53-21	2.350 - 46	5003323	2.362	230123-6	250-74-11	140-4-1011-1
140-53-21	2.350 - 46	5003326	2.362	230123-6	250-74-11	140-4-1011-1
<b>Tubing Size: 4.331 x .197</b>		<b>Tubing Part Number: 100-30-5</b>		<b>Tube Yoke: 140-28-17</b>		
140-53-11	1.950 - 38	210121-1X	1.968	230123-6	250-74-11	140-4-11-1
140-53-11	1.950 - 38	210881-1X	1.968	230123-6	250-74-11	140-4-11-1
140-53-21	2.350 - 46	5003323	2.362	230123-6	250-74-11	140-4-1011-1
140-53-21	2.350 - 46	5003326	2.362	230123-6	250-74-11	140-4-1011-1
<b>SPL170 Series Strap Kit - 170-70-18X</b>						<b>For Kit SPL170-3X</b>
<b>Tubing Size: 4.961 x .118</b>		<b>Tubing Part Number: 120-30-3</b>		<b>Tube Yoke: 170-28-17</b>		
250-53-11	2.350 - 46	5003323	2.362	230123-6	250-74-11	170-4-1271-1
250-53-11	2.350 - 46	5003326	2.362	230123-6	250-74-11	170-4-1271-1
250-53-11	2.350 - 46	5003628	2.362	230123-6	250-74-11	170-4-1271-1
<b>Tubing Size: 5.059 x .167</b>		<b>Tubing Part Number: 120-30-4</b>		<b>Tube Yoke: 170-28-17</b>		
250-53-11	2.350 - 46	5003323	2.362	230123-6	250-74-11	170-4-1271-1
250-53-11	2.350 - 46	5003326	2.362	230123-6	250-74-11	170-4-1271-1
<b>SPL250 Series Strap Kit - 250-70-18X</b>						<b>For Kit SPL250X</b>
<b>Tubing Size: 5.059 x .167</b>		<b>Tubing Part Number: 120-30-4</b>		<b>Tube Yoke: 250-28-17</b>		
250-53-11	2.350 - 46	5003323	2.362	230123-6	250-74-11	250-4-21-1
250-53-11	2.350 - 46	5003326	2.362	230123-6	250-74-11	250-4-21-1
<b>Tubing Size: 5.118 x .197</b>		<b>Tubing Part Number: 120-30-5</b>		<b>Tube Yoke: 250-28-17</b>		
250-53-11	2.350 - 46	5003323	2.362	230123-6	250-74-11	250-4-21-1
250-53-11	2.350 - 46	5003326	2.362	230123-6	250-74-11	250-4-21-1
<b>Tubing Size: 5.197 x .236</b>		<b>Tubing Part Number: 120-30-6</b>		<b>Tube Yoke: 250-28-17</b>		
250-53-11	2.350 - 46	5003323	2.362	230123-6	250-74-11	250-4-21-1
250-53-11	2.350 - 46	5003326	2.362	230123-6	250-74-11	250-4-21-1
<b>SPL350 Series Strap Kit - 350-70-18X</b>						<b>For Kit SPL350X &amp; SPL350SFX</b>
<b>Tubing Size: 5.457 x .167</b>		<b>Tubing Part Number: 138.5-30-4.3</b>		<b>Tube Yoke: 350-28-10018745</b>		
350-53-23770	2.707 - 68	350CB0001X	2.756	N/A	350-74-23806	350-4-11-1
<b>Tubing Size: 5.512 x .197</b>		<b>Tubing Part Number: 140-30-5</b>		<b>Tube Yoke: 350-28-10018745</b>		
350-53-23770	2.707 - 68	350CB0001X	2.756	N/A	350-74-23806	350-4-11-1

For parts and assemblies that are discontinued, will be discontinued upon depletion of stock, or not sold separately, please see the appropriate Spicer® J300P product catalog.



**Important: See Safety Information in General Information Section (J300P-GI)**

**Coupling Shafts  
 Adapter Type Joint & Shaft Assemblies**



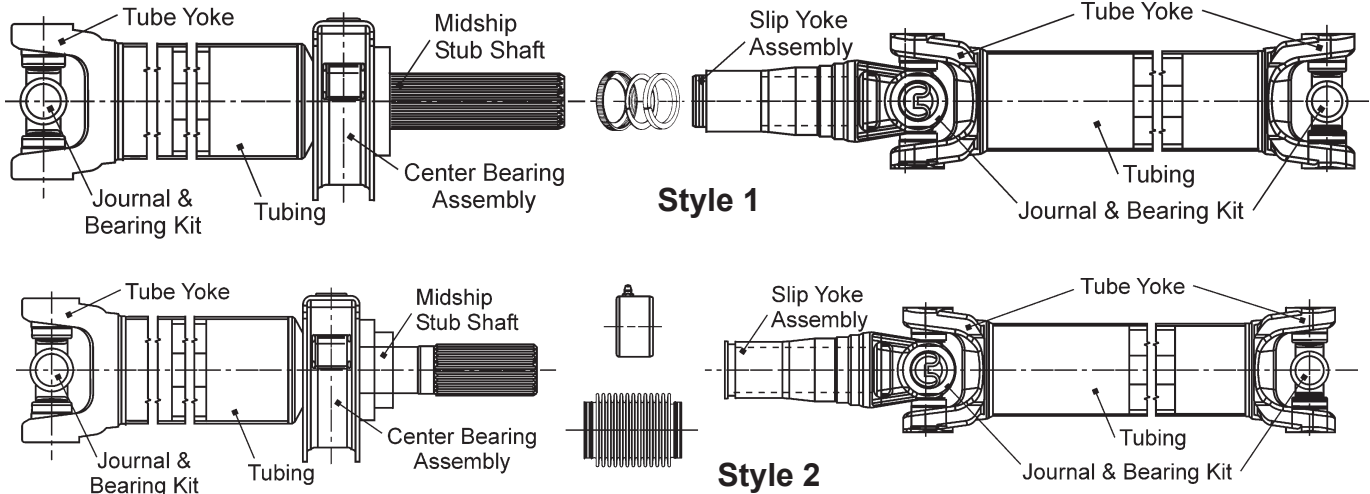
Midship Stub Shaft		Center Bearing Assy.		Flat Washer	Shaft Nut or Cap Screw	End Yoke (4) or Companion Flange (1)
Part Number	Spline Dia. & No.	Part Number	Bearing I.D.			
<b>Spicer 1550 HR Series - Will Adapt To Mechanics 6C or Meritor (Rockwell) 62N For Kits 6C-5X or 6C-3X</b>						
<b>Tubing Size: 3.500 x .095</b>		<b>Tubing Part Number: 28-30-22</b>		<b>Tube Yoke: 4-28-417</b>		
4-53-361	1.500 - 10	210391-1X	1.574	~	16-74-101 <i>3-70-28X Strap Kit used on End yoke</i>	4-4-2051-1
<b>Spicer 1550 HR Series - Will Adapt To Meritor (Rockwell) 58WB For Kits 5-328X</b>						
<b>Tubing Size: 3.500 x .095</b>		<b>Tubing Part Number: 28-30-22</b>		<b>Tube Yoke: 4-28-417</b>		
4-53-361	1.500 - 10	210391-1X	1.574	~	16-74-101 <i>3-70-28X Strap Kit used on End yoke</i>	4-4-2051-1
<b>Spicer 1810 BP Series - Will Adapt To Mechanics 9C or Meritor (Rockwell) 88WB &amp; 92N For Kits 5-324X</b>						
<b>Tubing Size: 4.500 x .259</b>		<b>Tubing Part Number: 36-30-22</b>		<b>Tube Yoke: 6.5-28-127</b>		
6.5-53-51	2.350 - 16	5003323	3.362	230123-6	231502	6.5-4-1891

For parts and assemblies that are discontinued, will be discontinued upon depletion of stock, or not sold separately, please see the appropriate Spicer® J300P product catalog.





**Coupling Shafts, Joint & Shaft Assemblies  
For Use With Outboard Slip Yoke**

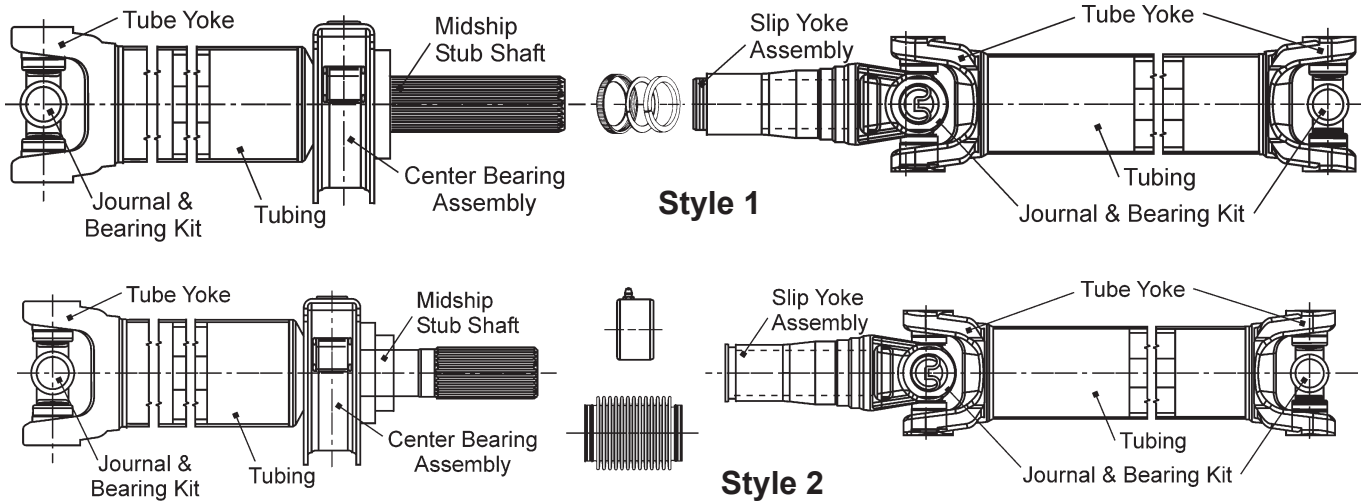


Midship Stub Shaft		Center Bearing Assy.		Slip Yoke Assy.			Style
Part Number	Spline Dia. & No.	Part Number	Bearing I.D.	Part Number	Dust Cap Kit (D) or Boot Kit (B)	Total Slip	
<b>1310 Series</b>				<b>For Kits 5-153X, 5-785X &amp; 5-810X, 5-1200X</b>			
<b>Tubing Size: 2.000 x .083</b>		<b>Tubing Part Number: 16-30-62</b>		<b>Front &amp; Rear Shaft Tube Yoke: 2-28-357</b>			
2-53-511	1.375 - 16	210088-1X	1.378	2-3-4951KX *	D3E (D)	2.625	1
2-53-121	1.375 - 16	210088-1X	1.378	2-3-128KX *	D3E (D)	2.125	1
* Replace Dust Cap in Slip Yoke Assembly with D3E Dust Cap							
<b>Tubing Size: 2.500 x .065</b>		<b>Tubing Part Number: 20-30-12</b>		<b>Front &amp; Rear Shaft Tube Yoke: 2-28-277</b>			
2-53-531	1.375 - 16	210088-1X	1.378	2-3-4951KX *	D3E (D)	2.625	1
* Replace Dust Cap in Slip Yoke Assembly with D3E Dust Cap							
<b>Tubing Size: 2.500 x .083</b>		<b>Tubing Part Number: 20-30-22</b>		<b>Front &amp; Rear Shaft Tube Yoke: 2-28-367</b>			
2-53-681	1.375 - 15/16	211175X	1.378	2-3-7661KX	211121X (D)	3.250	2
2-53-471	1.375 - 16	210088-1X	1.378	2-3-4951KX *	D3E (D)	2.625	1
3-53-1351	1.375 - 16	210370-1X	1.378	2-3-128KX *	D3E (D)	2.125	1
* Replace Dust Cap in Slip Yoke Assembly with D3E Dust Cap							
<b>Tubing Size: 3.000 x .0065</b>		<b>Tubing Part Number: 24-30-32</b>		<b>Front &amp; Rear Shaft Tube Yoke: 2-28-327</b>			
2-53-691	1.375 - 15/16	211175X	1.378	2-3-7661KX	211121X (D)	3.250	2
2-53-491	1.375 - 16	210088-1X	1.378	2-3-4951KX *	D3E (D)	2.625	1
* Replace Dust Cap in Slip Yoke Assembly with D3E Dust Cap							
<b>Tubing Size: 3.000 x .083</b>		<b>Tubing Part Number: 24-30-42</b>		<b>Front &amp; Rear Shaft Tube Yoke: 2-28-437</b>			
2-53-711	1.375 - 15/16	211175X	1.378	2-3-7661KX	211121X (D)	3.250	2
3-53-1181	1.376 - 31/32	210370-1X	1.378	2-3-10261KX	211121X (D)	2.220	2
2-53-501	1.375 - 16	210088-1X	1.378	2-3-4951KX *	D3E (D)	2.625	1
3-53-1361	1.375 - 16	210370-1X	1.378	2-3-128KX *	D3E (D)	2.125	1
* Replace Dust Cap in Slip Yoke Assembly with D3E Dust Cap							
<b>Tubing Size: 3.500 x .083</b>		<b>Tubing Part Number: 28-30-62</b>		<b>Front &amp; Rear Shaft Tube Yoke: 2-28-427</b>			
3-53-1301	1.376 - 31/32	210866-1X	1.574	2-3-10261KX	211121X (D)	2.220	2
<b>1330 Series</b>				<b>For Kits 5-213X, 5-790X, 5-812X, 5-1203X</b>			
<b>Tubing Size: 2.500 x .083</b>		<b>Tubing Part Number: 20-30-22</b>		<b>Front &amp; Rear Shaft Tube Yoke: 2-28-1707</b>			
2-53-681	1.375 - 15/16	211175X	1.378	2-3-7681KX	211121X (D)	3.125	2
2-53-471	1.375 - 16	210088-1X	1.378	2-3-4681KX	D3E (D)	2.750	1
<b>Tubing Size: 3.000 x .065</b>		<b>Tubing Part Number: 24-30-32</b>		<b>Front &amp; Rear Shaft Tube Yoke: 2-28-1177</b>			
2-53-491	1.375 - 16	210088-1X	1.378	2-3-4681KX	D3E (D)	2.750	1
2-53-1441	1.312 - 19/20	212028-1X	1.574	2-3-13831X	212094X (B)	2.000	2
2-53-1441	1.312 - 19/20	212032-1X	1.574	2-3-13831X	212094X (B)	2.000	2

For parts and assemblies that are discontinued, will be discontinued upon depletion of stock, or not sold separately, please see the appropriate Spicer® J300P product catalog.



**Important: See Safety Information in General Information Section (J300P-GI)**



Midship Stub Shaft		Center Bearing Assy.		Slip Yoke Assy.			Style
Part Number	Spline Dia. & No.	Part Number	Bearing I.D.	Part Number	Dust Cap Kit (D) or Boot Kit (B)	Total Slip	
<b>1330 Series (Continued)</b>				<b>For Kits 5-213X, 5-790X, 5-812X, 5-1203X</b>			
<b>Tubing Size: 3.000 x .083</b>		<b>Tubing Part Number: 24-30-42</b>		<b>Front &amp; Rear Shaft Tube Yoke: 2-28-1697</b>			
2-53-691	1.375 - 15/16	211175X	1.378	2-3-7681KX	211121X (D)	3.125	2
2-53-711	1.375 - 15/16	211175X	1.378	2-3-7681KX	211121X (D)	3.125	2
2-53-501	1.375 - 16	210088-1X	1.378	2-3-4681KX	D3E (D)	2.750	1
<b>1350 Series</b>				<b>For Kits 5-178X &amp; 5-799X</b>			
<b>Tubing Size: 2.500 x .083</b>		<b>Tubing Part Number: 20-30-22</b>		<b>Front &amp; Rear Shaft Tube Yoke: 3-28-47</b>			
2-53-471	1.375 - 16	210088-1X	1.378	3-3-1501KX	D3G (D)	2.750	1
3-53-1351	1.375 - 16	210370-1X	1.378	3-3-1501KX	D3G (D)	2.563	1
<b>Tubing Size: 3.000 x .083</b>		<b>Tubing Part Number: 24-30-42</b>		<b>Front &amp; Rear Shaft Tube Yoke: 3-28-57</b>			
2-53-501	1.375 - 16	210088-1X	1.378	3-3-1501KX	D3G (D)	2.750	1
3-53-1371	1.375 - 16	210088-1X	1.378	3-3-758KX	D3E (D)	2.000	1
3-53-1361	1.375 - 16	210370-1X	1.378	3-3-1501KX	D3G (D)	2.563	1
3-53-1181	1.375 - 31/32	210370-1X	1.378	3-3-2471KX	D3F (D)	2.080	2
3-53-2451	1.437 - 21/22	211499X	1.574	3-3-6201X	211503X (B)	3.120	2
3-53-1551	1.500 - 15/16	211793-1X	1.574	3-3-4781X	212010X (B)	2.000	2
3-53-1551	1.500 - 15/16	211735-2X	1.574	3-3-5921X	211158X (B)	3.120	2
3-53-1551	1.500 - 15/16	211793-1X	1.574	3-3-5921X	211158X (B)	3.120	2
3-53-1951	1.500 - 15/16	211359X	1.574	3-3-4781X	211503X (B)	3.120	2
<b>Tubing Size: 3.500 x .065</b>		<b>Tubing Part Number: 28-30-42</b>		<b>Front &amp; Rear Shaft Tube Yoke: 3-28-257</b>			
3-53-2381	1.437 - 21/22	212028-1X	1.574	3-3-6381X	212094X (B)	2.590	2
3-53-2381	1.437 - 21/22	212030-1X	1.574	3-3-6381X	212094X (B)	2.590	2
3-53-2381	1.437 - 21/22	212032-1X	1.574	3-3-6381X	212094X (B)	2.590	2
<b>Tubing Size: 3.500 x .083</b>		<b>Tubing Part Number: 28-30-62</b>		<b>Front &amp; Rear Shaft Tube Yoke: 3-28-427</b>			
3-53-2591	1.437 - 21/22	211499X	1.574	3-3-6981X	211503X (B)	2.618	2
3-53-2591	1.437 - 21/22	211359X	1.574	3-3-6981X	211503X (B)	2.618	2
3-53-2281	1.500 - 15/16	211499X	1.574	3-3-4781X	211503X (B)	3.120	2
<b>1410 Series</b>				<b>For Kits 5-160X &amp; 5-801X</b>			
<b>Tubing Size: 3.000 x .083</b>		<b>Tubing Part Number: 24-30-42</b>		<b>Front &amp; Rear Shaft Tube Yoke: 3-28-97</b>			
3-53-1361	1.375 - 16	210370-1X	1.378	3-3-1481KX	D3G (D)	2.594	1
3-53-1371	1.375 - 16	210088-1X	1.378	3-3-788KX	D3E (D)	2.000	1
3-53-2451	1.437 - 21/22	211359X	1.574	3-3-6611X	211503X (B)	3.120	2
3-53-2451	1.437 - 21/22	211359X	1.574	3-3-6701X	211503X (B)	2.618	2
3-53-1551	1.500 - 15/16	211359X	1.574	3-3-5411X	211158X (B)	3.120	2

For parts and assemblies that are discontinued, will be discontinued upon depletion of stock, or not sold separately, please see the appropriate Spicer® J300P product catalog.

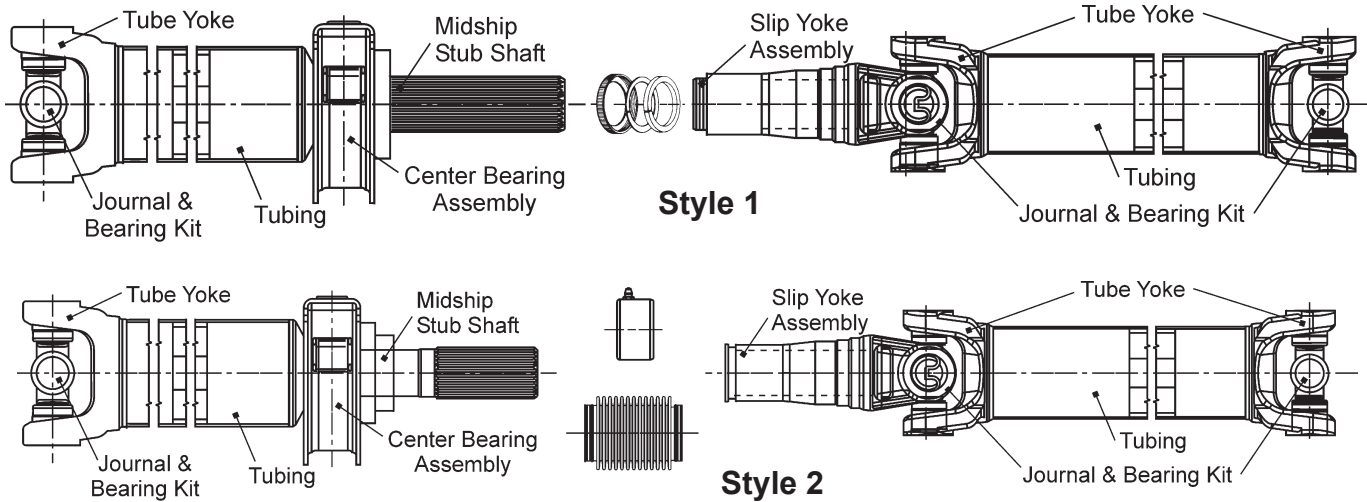


Midship Stub Shaft		Center Bearing Assy.		Slip Yoke Assy.			Style
Part Number	Spline Dia. & No.	Part Number	Bearing I.D.	Part Number	Dust Cap Kit (D) or Boot Kit (B)	Total Slip	
<b>1410 Series (Continued)</b>				<b>For Kits 5-160X &amp; 5-801X</b>			
<b>Tubing Size: 3.000 x .083</b>		<b>Tubing Part Number: 24-30-42</b>		<b>Front &amp; Rear Shaft Tube Yoke: 3-28-97</b>			
3-53-1951	1.500 - 15/16	211359X	1.574	3-3-4871X	211503X (B)	3.120	2
3-53-1951	1.500 - 15/16	211848-1X	1.574	3-3-4871X	211503X (B)	3.120	2
3-53-1951	1.500 - 15/16	211963-1X	1.574	3-3-4871X	211503X (B)	3.120	2
3-53-1031	1.500 - 16	210866-1X	1.574	3-3-2041KX	D3K (D)	2.000	1
<b>Tubing Size: 3.500 x .065</b>		<b>Tubing Part Number: 28-30-42</b>		<b>Front &amp; Rear Shaft Tube Yoke: 3-28-367</b>			
3-53-2381	1.437 - 21/22	212028-1X	1.574	3-3-6341X	212094X (B)	2.590	2
3-53-2381	1.437 - 21/22	212030-1X	1.574	3-3-6701X	212094X (B)	2.590	2
3-53-2381	1.437 - 21/22	212032-1X	1.574	3-3-6701X	212094X (B)	2.590	2
3-53-2381	1.437 - 21/22	212031-1X	1.574	3-3-6701X	212094X (B)	2.590	2
3-53-2381	1.437 - 21/22	212028-1X	1.574	3-3-6701X	212094X (B)	2.590	2
3-53-2011	1.500 - 15/16	211793-1X	1.574	3-3-5411KX	211158X (B)	3.120	2
<b>Tubing Size: 3.500 x .083</b>		<b>Tubing Part Number: 28-30-62</b>		<b>Front &amp; Rear Shaft Tube Yoke: 3-28-557</b>			
3-53-2441	1.437 - 21/22	212031-1X	1.574	3-3-6341X	212094X (B)	2.590	2
3-53-2441	1.437 - 21/22	212030-1X	1.574	3-3-6341X	212094X (B)	2.590	2
3-53-2441	1.437 - 21/22	212030-1X	1.574	3-3-6701X	212094X (B)	2.590	2
3-53-2441	1.437 - 21/22	212031-1X	1.574	3-3-6701X	212094X (B)	2.590	2
3-53-2591	1.437 - 21/22	211359X	1.574	3-3-6701X	212010X (B)	2.650	2
3-53-2281	1.500 - 15/16	211963-1X	1.574	3-3-4871X	211503X (B)	3.120	2
3-53-2281	1.500 - 15/16	211359X	1.574	3-3-4871X	211503X (B)	3.120	2
3-53-1121	1.500 - 16	210866-1X	1.574	3-3-2041KX	D3K (D)	2.000	1
5007832	1.562 - 16	210433-1X	1.574	3-3-1701KX	D3H (D)	2.500	2
3-53-2571	39.7mm - 23/24	211499X	1.574	3-3-7001X	212007X (B)	2.500	2
3-53-2571	39.7mm - 23/24	211359X	1.574	3-3-7001X	212007X (B)	2.500	2
<b>Tubing Size: 4.000 x .083</b>		<b>Tubing Part Number: 32-30-22</b>		<b>Front &amp; Rear Shaft Tube Yoke: 3-28-457</b>			
3-53-2561	39.7mm - 23/24	211359X	1.574	3-3-7001X	212007X (B)	2.500	2
3-53-1391	1.375-16	210088-1X	1.378	3-3-788KX	D3C (D)	2.000	1
3-53-1131	1.500 - 16	210866-1X	1.574	3-3-2041KX	D3K (D)	2.000	1
3-53-1191	1.562 - 16	210433-1X	1.574	3-3-1701KX *	D3J (D)	3.125	1
<i>* Replace Dust Cap Kit in Slip Yoke Kit Assembly with D3J</i>							
<b>1480 Series</b>				<b>For Kits 5-188X, 5-803X 5-804X</b>			
<b>Tubing Size: 3.500 x .083</b>		<b>Tubing Part Number: 28-30-62</b>		<b>Front &amp; Rear Shaft Tube Yoke: 3-28-537</b>			
5007832	1.562 - 16	210433-1X	1.574	3-3-1601KX	D3H (D)	2.500	2
<i>* Replace Dust Cap Kit in Slip Yoke Kit Assembly with D3H</i>							
3-53-2571	1.562 - 23/24	211499X	1.574	3-3-6061X	212007X (B)	2.500	2
3-53-2571	1.562 - 23/24	211359X	1.574	3-3-6061X	212007X (B)	2.500	2
3-53-2571	1.562 - 23/24	211793-1X	1.574	3-3-6061X	212007X (B)	2.500	2
<b>Tubing Size: 4.000 x .083</b>		<b>Tubing Part Number: 32-30-22</b>		<b>Front &amp; Rear Shaft Tube Yoke: 3-28-507</b>			
3-53-1191	1.562 - 16	210433-1X	1.574	3-3-1601KX	D3J (D)	3.125	1
<b>1550 Series</b>				<b>For Kits 5-155X, 5-808X 5-809X</b>			
<b>Tubing Size: 3.500 x .095</b>		<b>Tubing Part Number: 28-30-22</b>		<b>Front &amp; Rear Shaft Tube Yoke: 4-28-307</b>			
4-53-61	1.750 - 16	210207-1X	1.771	4-3-1241KX	D4K (D)	2.750	1
<b>SPL55 Series</b>				<b>For Kits SPL55-1X, XPL55-2X, 5-803X &amp; 5-804X</b>			
<b>Tubing Size: 3.500 x .083</b>		<b>Tubing Part Number: 28-30-62</b>		<b>Front &amp; Rear Shaft Tube Yoke: 3-28-537</b>			
55-53-51	39.7mm - 23/24	212031-1X	1.574	55-3-81X	212094X	3.830	2

For parts and assemblies that are discontinued, will be discontinued upon depletion of stock, or not sold separately, please see the appropriate Spicer® J300P product catalog.



**Important: See Safety Information in General Information Section (J300P-GI)**



Midship Stub Shaft		Center Bearing Assy.		Slip Yoke Assy.			Style
Part Number	Spline Dia. & No.	Part Number	Bearing I.D.	Part Number	Dust Cap Kit (D) or Boot Kit (B)	Total Slip	
<b>SPL70 Series</b>				<b>For Kits SPL70X, SPL70-1X, 5-808X &amp; 5-809X</b>			
<b>Tubing Size: 4.000 x .083</b>		<b>Tubing Part Number: 32-30-22</b>		<b>Front &amp; Rear Shaft Tube Yoke: 4-28-277</b>			
70-53-11	44.5mm - 26/27	212135-1X	1.771	70-3-21X	212146X (B)	3.300	2
<b>SPL100 Series</b>				<b>For Kit SPL100-1X</b>			
<b>Tubing Size: 4.000 x .095</b>		<b>Tubing Part Number: 32-30-12</b>		<b>Front &amp; Rear Shaft Tube Yoke: 100-28-17*</b>			
100-53-21	49.2mm - 29/30	212142-1X	1.968	100-3-41X	212146X (B)	3.830	2

*\*Some front tube yoke on the rear shaft may use part number 100-28-27, which uses strap kit 90-70-28X*

For parts and assemblies that are discontinued, will be discontinued upon depletion of stock, or not sold separately, please see the appropriate Spicer® J300P product catalog.



2-3-10261KX.....	9	3-3-6201X.....	10	3-53-2281.....	10,11
2-3-128KX.....	9	3-3-6341X.....	11	3-53-2301.....	2
2-3-13831X.....	9	3-3-6381X.....	10	3-53-2381.....	10,11
2-3-4681KX.....	9,10	3-3-6611X.....	10	3-53-2441.....	11
2-3-4951KX.....	9	3-3-6701X.....	10,11	3-53-2451.....	10
2-3-7661KX.....	9	3-3-6981X.....	10	3-53-2541.....	2
2-3-7681KX.....	9,10	3-3-7001X.....	11	3-53-2561.....	11
2-4-2671.....	2	3-3-758KX.....	10	3-53-2571.....	11
2-4-6191-1.....	2	3-3-788KX.....	10,11	3-53-2591.....	10,11
2-4-7021-1.....	2	3-4-178-1X.....	2	3-54-611.....	2
2-4-7291-1X.....	2	3-4-2851-1X.....	2	4-3-1241KX.....	11
2-28-277.....	2,9	3-4-2941-1.....	2	4-4-2051-1.....	3,8
2-28-327.....	9	3-4-4421-1X.....	3	4-4-4211-1.....	3
2-28-357.....	9	3-4-6561-1.....	2	4-4-4211-2.....	3
2-28-367.....	2,9	3-4-6631-1X.....	2	4-28-277.....	3,6,12
2-28-427.....	9	3-4-6901-1.....	3	4-28-307.....	6,11
2-28-437.....	2,9	3-4-13881-1X.....	2	4-28-417.....	3,8
2-28-1177.....	9	3-4-14591-1.....	2	4-53-61.....	11
2-28-1697.....	10	3-4-14621-1.....	2	4-53-271.....	3
2-28-1707.....	9	3-28-47.....	10	4-53-361.....	3,8
2-28-2417.....	2	3-28-57.....	2,10	4-53-401.....	3
2-53-121.....	9	3-28-97.....	2,10,11	5-4-1721.....	4
2-53-471.....	9,10	3-28-257.....	10	5-4-1721-1.....	4
2-53-491.....	9	3-28-267.....	2	5-4-1721.....	4
2-53-501.....	9,10	3-28-367.....	11	5-4-1721-1.....	4
2-53-511.....	9	3-28-427.....	2,10	5-4-7171-1.....	4
2-53-531.....	9	3-28-457.....	2,11	5-28-327.....	4
2-53-681.....	9	3-28-507.....	3,11	5-28-627.....	4
2-53-691.....	9,10	3-28-537.....	3,6,11	5-53-141.....	4
2-53-711.....	9,10	3-28-557.....	2,11	5-53-191.....	4
2-53-901.....	2	3-53-1031.....	11	5-53-261.....	4
2-53-1051.....	2	3-53-1121.....	11	5-53-271.....	4
2-53-1151.....	2	3-53-1131.....	11	6-1-4641.....	4
2-53-1191.....	2	3-53-1181.....	9,10	6-1-5581.....	5
2-53-1321.....	2	3-53-1191.....	11	6-4-1981.....	4
2-53-1351.....	2	3-53-1301.....	9	6-4-1981-1.....	4
2-53-1441.....	9	3-53-1351.....	9,10	6-4-1981.....	4
3-3-1481KX.....	10	3-53-1361.....	9,10	6-4-1981-1.....	4
3-3-1501KX.....	10	3-53-1371.....	10	6-4-1981.....	4
3-3-1601KX.....	11	3-53-1391.....	11	6-4-1981-1.....	4
3-3-1701KX.....	11	3-53-1551.....	10	6-4-1981.....	4
3-3-1701KX.....	11	3-53-1781.....	2	6-4-1981-1.....	4
3-3-2041KX.....	11	3-53-1791.....	2,3	6-4-4601-1.....	5
3-3-2471KX.....	10	3-53-1801.....	2,3	6-4-7141.....	4
3-3-4781X.....	10	3-53-1811.....	2	6-4-7141-1.....	4
3-3-4871X.....	11	3-53-1821.....	2,3	6-4-7141.....	4
3-3-5411KX.....	11	3-53-1831.....	2,3	6-4-7141-1.....	4
3-3-5411X.....	10	3-53-1891.....	2	6-4-7481-1.....	4,5
3-3-5921X.....	10	3-53-1951.....	10,11	6-4-5071X.....	5
3-3-6061X.....	11	3-53-2011.....	11	6-28-347.....	4,5



6-28-407 ..... 4,5	140-4-11-1 ..... 7	211499X..... 10,11
6-53-201 ..... 4	140-4-1011-1 ..... 7	212031X ..... 6
6-53-241 ..... 4	140-28-17 ..... 7	
6-53-311 ..... 5	140-53-11 ..... 7	
6-53-411 ..... 4	140-53-21 ..... 7	
6-53-421 ..... 4	170-4-1271-1 ..... 7	
6.3-4-161 ..... 5	170-28-17 ..... 7	
6.3-4-161-1 ..... 5	250-4-21-1 ..... 7	
6.3-4-161 ..... 5	250-28-17 ..... 7	
6.3-4-161-1 ..... 5	250-53-11 ..... 7	
6.3-4-821-1 ..... 5	350-4-11-1 ..... 7	
6.3-28-17 ..... 5	350-53-23770 ..... 7	
6.3-53-21 ..... 4,5	350CB0001X ..... 7	
6.5-1-1811 ..... 5	210084-2X ..... 3,4,6	
6.5-4-1891 ..... 5	210088-1X ..... 9,10,11	
6.5-4-1891-1 ..... 5	210090-1X ..... 2	
6.5-4-1891 ..... 5	210121-1X ..... 4,7	
6.5-4-1891-1 ..... 5	210207-1X ..... 11	
6.5-4-1891 ..... 5	210367-1X ..... 2	
6.5-4-1891-1 ..... 5	210370-1X ..... 9,10	
6.5-4-1891 ..... 5	210391-1X ..... 2,3,8	
6.5-4-1891-1 ..... 5	210433-1X ..... 11	
6.5-4-1891 ..... 8	210866-1X ..... 9,11	
6.5-4-3591-1 ..... 5	210873-1X ..... 2,3	
6.5-28-117 ..... 5	210881-1X ..... 4,7	
6.5-28-127 ..... 5,8	211090-1X ..... 2	
6.5-53-51 ..... 5,8	211589-1X ..... 2	
6.5-53-91 ..... 5	211735-2X ..... 10	
6.5-53-171 ..... 5	211793-1X ..... 10,11	
6.5-53-181 ..... 5	211848-1X ..... 11	
55-3-81X ..... 11	211872-1X ..... 2	
55-4-11-1 ..... 6	211963-1X ..... 11	
55-53-51 ..... 11	212028-1X ..... 9,10,11	
55-53-101 ..... 6	212030-1X ..... 10,11	
70-3-21X ..... 12	212031-1X ..... 11	
70-4-11-1 ..... 6	212032-1X ..... 9,10,11	
70-53-11 ..... 12	212053-1X ..... 2	
70-53-31 ..... 6	212134-1X ..... 6	
70-53-61 ..... 6	212135-1X ..... 12	
90-4-11-1 ..... 6	212142-1X ..... 12	
90-28-17 ..... 6	212144-1X ..... 6	
90-28-27 ..... 6	212145-1X ..... 6	
90-53-11 ..... 6	212261-1X ..... 6	
90-53-31 ..... 6	5003323 ..... 4,5,7,8	
100-3-41X ..... 12	5003326 ..... 5,7	
100-4-931-1 ..... 6	5003628 ..... 7	
100-28-17 ..... 6,12	5007832 ..... 11	
100-28-27 ..... 12	211175X ..... 9,10	
100-53-21 ..... 12	211359X ..... 2,10,11	
100-53-31 ..... 6	211431X ..... 2	





**Dana Aftermarket Group**

PO Box 1000  
Maumee, Ohio 43537

Warehouse Distributors: 1.800.621.8084  
OE Dealers: 1.877.777.5360

[www.SpicerParts.com](http://www.SpicerParts.com)

**SPICER**<sup>®</sup>



J300P-11 Printed in U.S.A.  
Copyright Dana Limited, 2016.  
All rights reserved. Dana Limited.

